

GLASS IS LIFE™

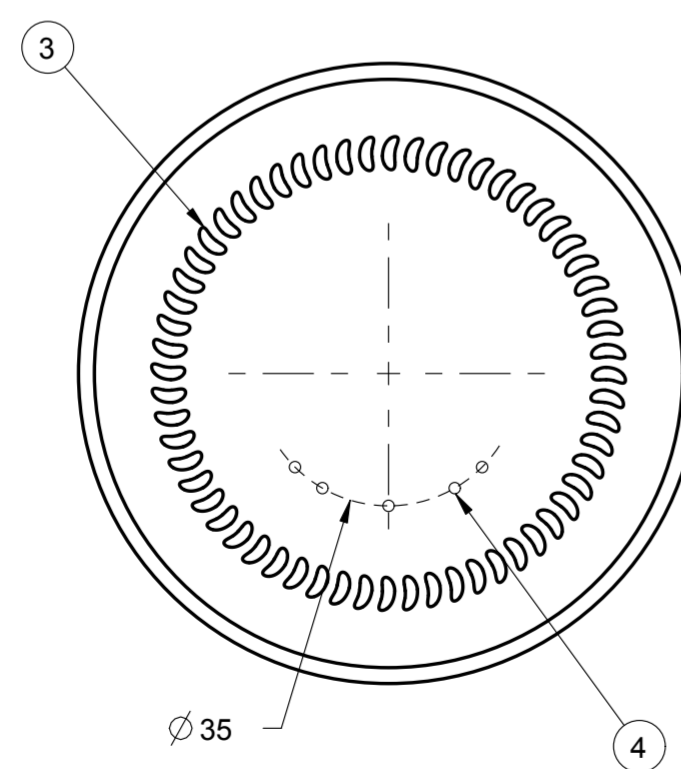
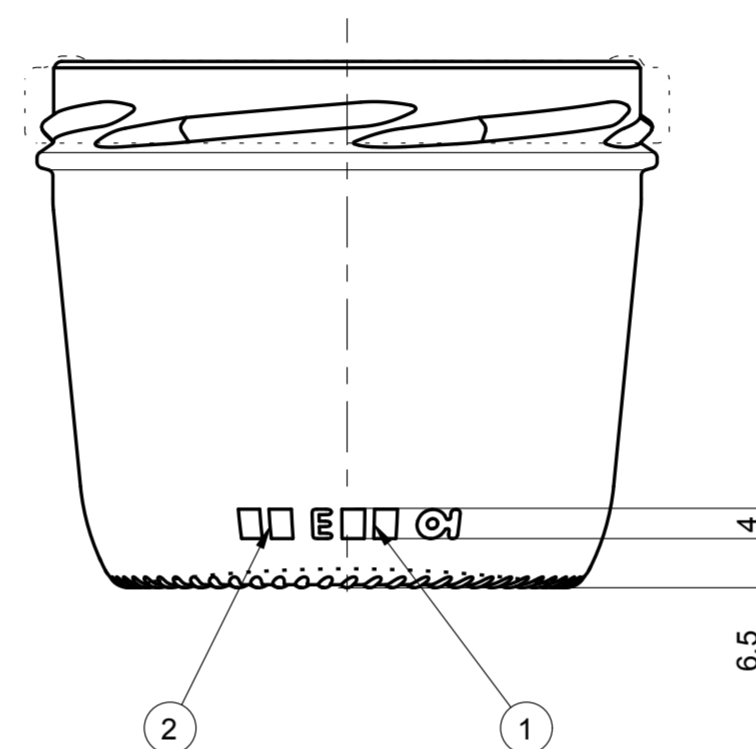
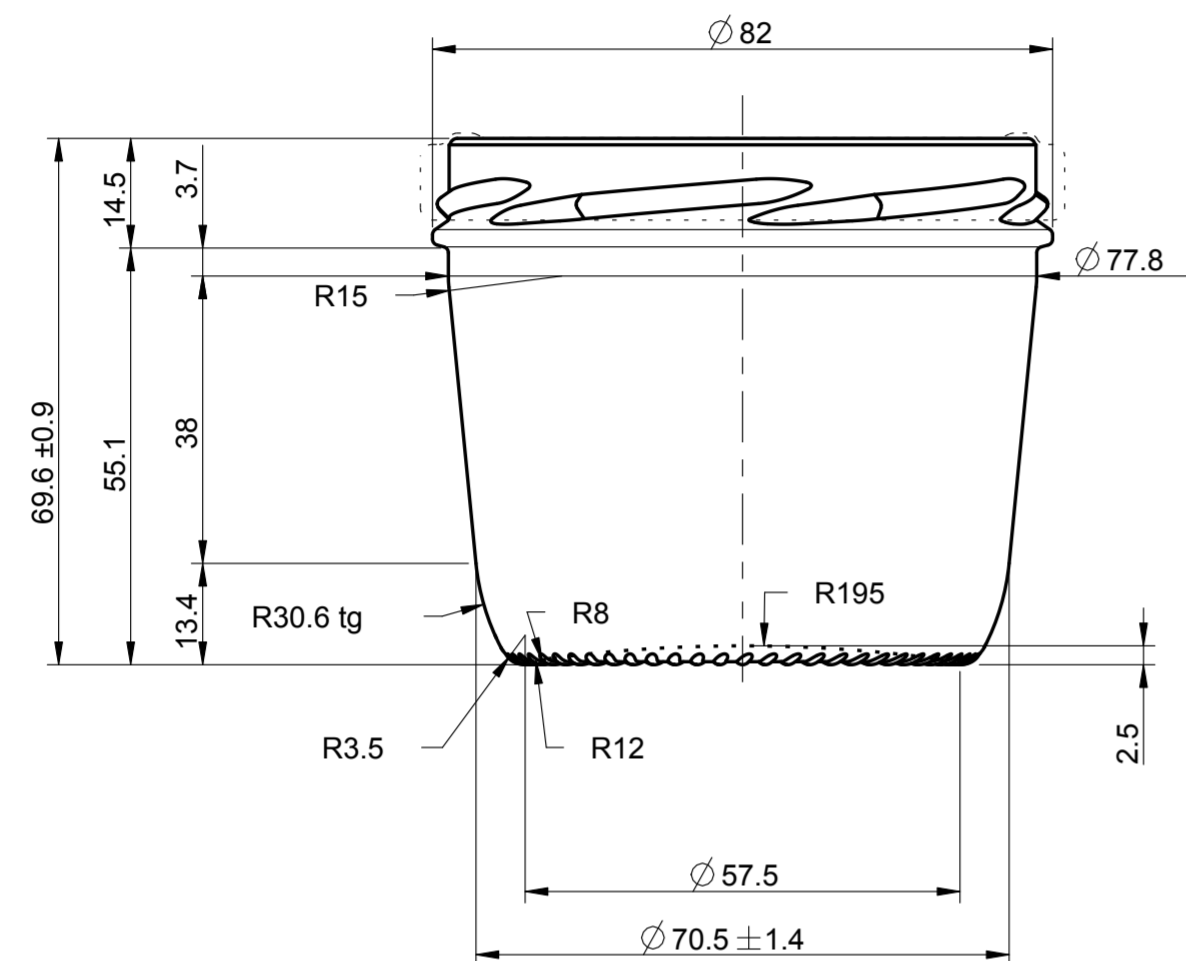
O-I makers of pure, sustainable,
brand-building glass packaging

O-I Sales and Distribution France SAS

64 bd du 11 Novembre 1918 - BP 1228
69611 Villeurbanne Cedex, France
Tel. +33 (0)426686500

CONTAINER & MOULD ENGINEERING

EUROPE



NOTES:
THIS DRAWING IS THE PROPERTY OF O-I AND
MUST NOT BE REPRODUCED OR DISCLOSED
WITHOUT O-I WRITTEN AUTHORIZATION.

DIMENSIONS EXPRESSED IN mm
ONLY TOLERANCED DIMENSIONS ARE GUARANTEED.

MANUFACTURING MARKINGS SHOWN ARE FOR ILLUSTRATIVE
PURPOSES ONLY, ACTUAL MARKINGS ON CONTAINER
MAY DIFFER, DEPENDANT ON LOCAL LEGISLATION.

| | |
|---|-------------------------------------|
| HEAT TREATMENT XX °C maxi | CARBONATION XX g CO2/l maxi |
| VERTICAL LOAD 150 daN maxi | THERMAL SHOCK 42 °C maxi |
| CATEGORY FOOD | TILT ANGLE 40.5° |
| MAX. VERTICALITY TOLERANCE 1.5 mm | MEASURING CONTAINER NO |
| FINISH SAP NUMBER 7585 | FINISH REF. CETIE GME 20-09 1995 |
| MINIMUM THROUGH BORE mm | MAX FILLING TUBE Ø mm |
| CONTAINER OVERFLOW CAPACITY (BRIMFUL) | |
| 240ml ± 6ml | |
| CONTAINER RATED CAPACITY (FILLPOINT) | |
| CONTAINER WEIGHT | |
| 135g APPROX. | |
| FINISH DESIGNATION FR_82_GME 20-09_H145_7585 | MAX GAS VOLUME |
| PROCESS RETURNABLE NO | DESIGN REF. EU OI n° 21393 |

**STANDARD
24 CL VERRINE TO 82**

| | | | |
|----------------|------------------|------|------------|
| DESIGNER | EBL | DATE | 07/10/2015 |
| CHECKED | | DATE | |
| DRAWING NUMBER | MOULD/SAP NUMBER | | |
| 150723 | 150723 | | |

1 = TRADEMARK
2 = CAVITY No.
3 = STIPPLING
THE SHAPE OF STIPPLES IS ONLY AN
INDICATION AND THE CONSTRUCTION IS AT
THE PRODUCTION PLANT DISCRETION.
4 = CAVITY CODE

SCALE 1:1

| | | | |
|----|----------|------------------------------------|--------------|
| No | DATE | REVISIONS | DESIGN/CHECK |
| | 19/02/16 | ADDED SHAPE CODE ON THE VERSION 01 | EBL |