

Product Datasheet

description:	FUT 30L BLEU OT1,3KG9815 PU - 30/PERDU 45/CP3U	year:	2013
product group:	Open Top < 100l EU	revision:	2015-11-19
Mauser product no.:	FR030ST B40408	page:	1/2
customer item no.:	FPOT-15442		

DIMENSIONS

A:	520.00 mm
B:	150.00 mm
C:	315.00 mm
D:	263.00 mm
E:	289.00 mm
tolerance (+/-):	4 mm

MATERIAL

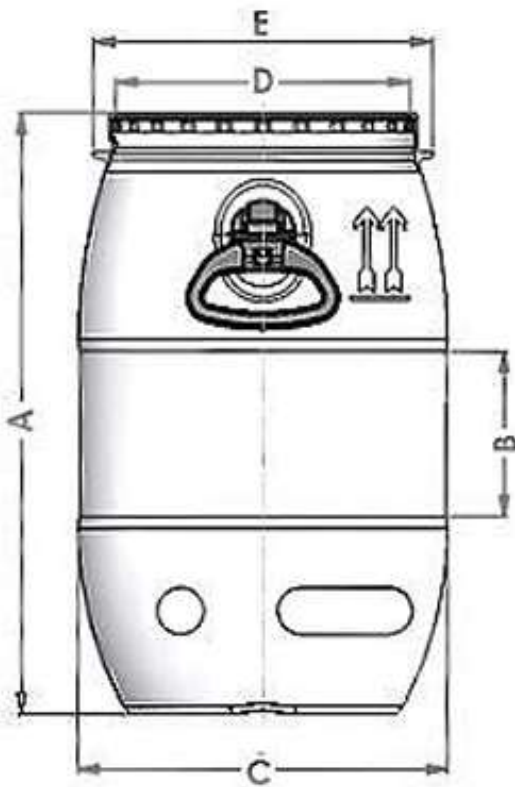
plastic (body):	1.35 kg
plastic tolerance (+/-):	4 %
plastic total:	1.70 kg
steel:	0.18 kg

VOLUME

volume:	30 L
brimful volume:	33 L / 9 GAL

DRAWING NUMBER

Mauser drawing no.:	0
drawing date:	/.





Product Datasheet

description:	FUT 30L BLEU OT1,3KG9815 PU - 30/PERDU 45/CP3U	year:	2013
product group:	Open Top < 100l EU	revision:	2015-11-19
Mauser product no.:	FR030ST B40408	page:	2/2

MODEL / COMPONENTS / ACCESSORIES

design:	O-Top	quality:	FDA
colour drum body:	blue	colour variations:	/.
snap-on-handle/integrated handle:	integrated handle	lid gasket and accessories:	PUR foamed, with "Belüftungsstift"
lid colour:	black	clamping ring:	2067-32
specialties:	/.	venting:	/.
quality:	FDA	bung closure 2:	/.
bung closure 1:	/.	bung closure insert 2:	/.
bung closure insert 1:	/.	seal cap 2:	/.
seal cap 1:	/.		

SHIPPING UNIT

pallet type:	loose	pallet material:	Wood, untreated
pieces per pallet:	75	load secure:	Hood, natural
bung orientation on pallet:	/.	assembly bung closure 2:	/.
assembly bung closure 1:	/.	assembly seal cap 2:	/.
assembly seal cap 1:	/.		

PACKAGING GROUP

packaging group:	X	max. density (approval):	≤ 1,2 g/cm ³
hydraulic pressure:	0 (only approved for solids)		

STANDARD FILLING PRODUCTS

	max. vapour pressure at 50C	max. vapour pressure at 55C	density PG I	density PG II	density PG III
solid:	/.	/.	1.8	1.8	1.8
water:	/.	/.	/.	/.	/.
acetic acid:	/.	/.	/.	/.	/.
wetting solution:	/.	/.	/.	/.	/.
white spirit:	/.	/.	/.	/.	/.
n-butyl acetate:	/.	/.	/.	/.	/.
nitric acid 55%:	/.	/.	/.	/.	/.
approval:	UN1H2/X61/S/.JD/BAM9815-...				
material type:	HDPE				



SVP Négoce, ZAC du Clos Neuf, 16 rue Denis Papin, 14840 DEMOUVILLE

Tél : 02 31 26 16 64

E-mail : contact@svpnegoce.com

RCS de Caen : 822 624 805 TVA intracommunautaire : FR 39 822 624 805

N° de SIRET : 822 624 805 00039 Code APE : 4690Z

En gros, c'est mieux

GROSSRTE ALIMENTAIRE - MATIERES PREMIERES - EMBALLAGES