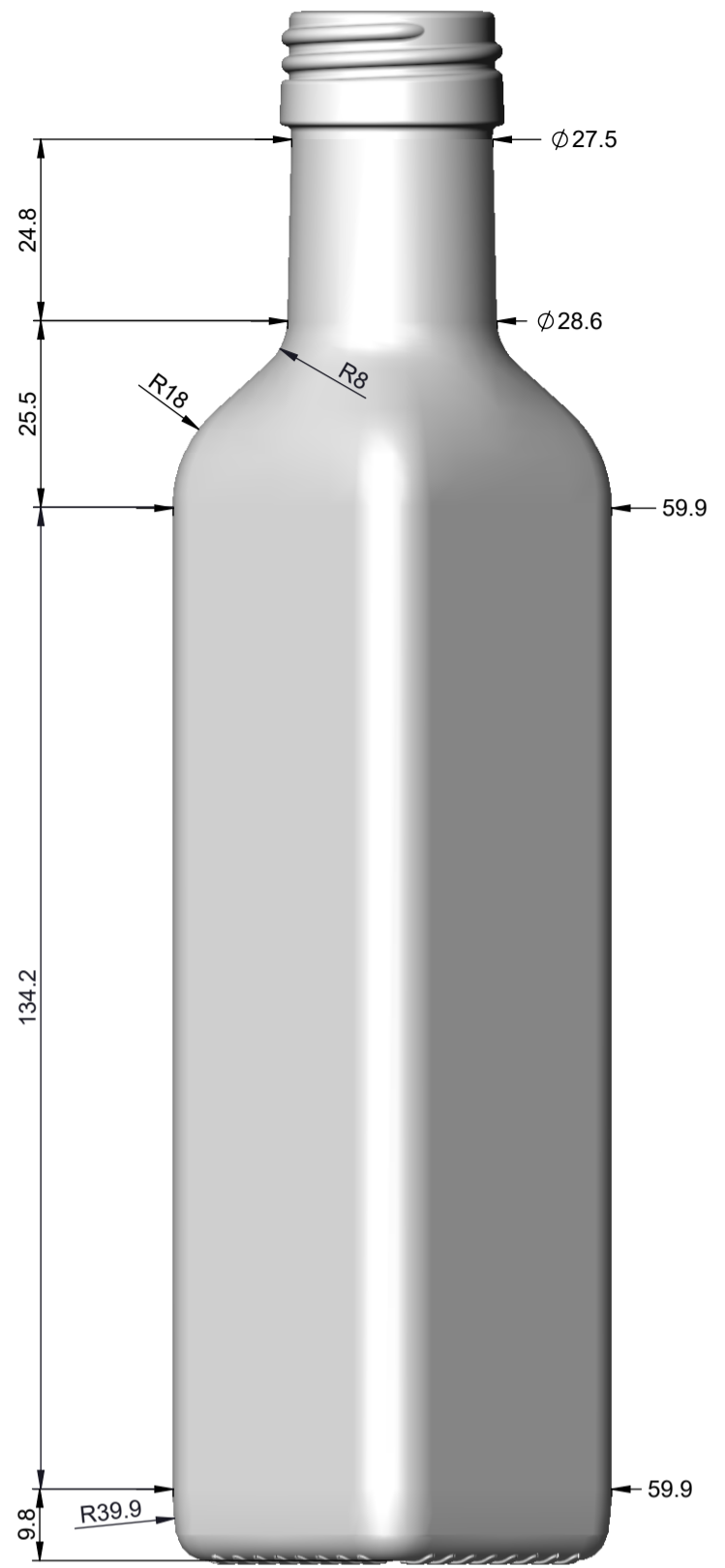
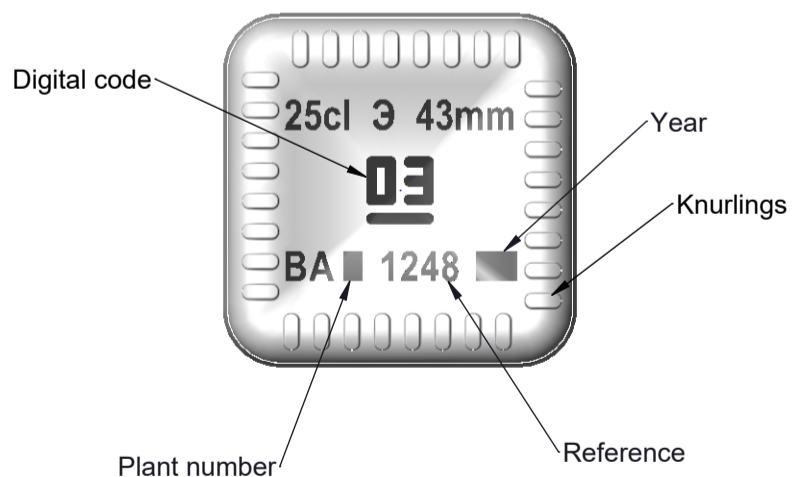


FRONT VIEW



DIAGONAL VIEW



BOTTOM VIEW

GLASS WEIGHT	Aprox. 240 g	
CAPACITY AT FILL LINE	250 ± 4.5 ml	
BRIMFUL CAPACITY	263 ± 4.5 ml	
MAX. CO ₂	0 g/l	
HEADSPACE W/O CORK	4.9 %	
HEADSPACE W/ CORK	Ø	H %
TIP ANGLE	11.8 °	CG HT 89.3 mm

STACKABLE	<input type="checkbox"/>	NON STACKABLE	<input checked="" type="checkbox"/>
-----------	--------------------------	---------------	-------------------------------------

REFILLABLE	<input type="checkbox"/>	ONE WAY	<input checked="" type="checkbox"/>
------------	--------------------------	---------	-------------------------------------

FINISH	S233	
	BVP 31.5 STD (IP UNI)	

REVISION	DESCRIPTION	DATE
A	Bore Ø added	17.05.2022



DATE	DRAWN	APPROVAL
17/05/2022	A.Santos	T.Abrantes
DRAWING	REV.	SCALE ON ORIGINAL
1248S233	A	1:1
DESIGNATION		
25cl Maraska		

DIMENSIONS WITHOUT TOLERANCE EXCLUSIVELY FOR MOLD CONSTRUCTION