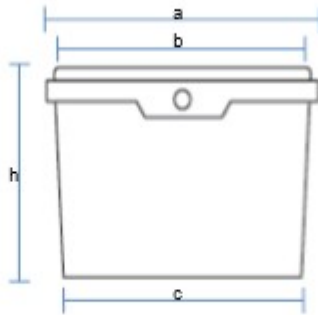


## DIMENSIONS / WEIGHT

|                                |                   |
|--------------------------------|-------------------|
| Upper diameter (inside):       | 310,2 mm (b)      |
| Upper diameter (with flange):  | 327,0 mm (a)      |
| Upper diameter (with handles): | 345,6 mm          |
| Bottom diameter (external):    | 282,1 mm (c)      |
| Height (with standard lid):    | 320,2 mm (h)      |
| Height (with lid for foiling): | -                 |
| Nominal capacity:              | 20 000 ml         |
| Total capacity:                | 21 100 ml         |
| Total usable capacity:         | 20 100 ml         |
| Container weight:              | 570 g             |
| Handle weight (strap):         | 25,6 g (standard) |
| Handle weight (PP):            | -                 |
| Handle weight (metal):         | 66,3 g (optional) |
| Weight tolerance:              | +/- 5%            |
| Dimension tolerance:           | +/- 1mm           |

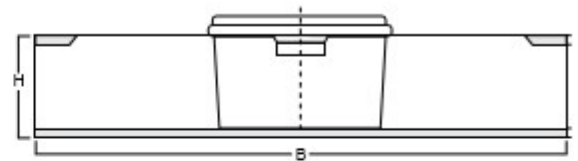


## PHOTO OF PRODUCT



## DECORATION

|             |                             |     |
|-------------|-----------------------------|-----|
|             | Dry offset (up to 6 colors) | IML |
| Width (B):  | 935,0 mm                    |     |
| Height (H): | 240,0 mm                    |     |



Detailed die cutter of IML label is available after contact with the Sales Department

## LIDS

Name: P-20Bis/2  
Foiling: NO  
Weight: 127 g  
IML: NO  
Offset: YES



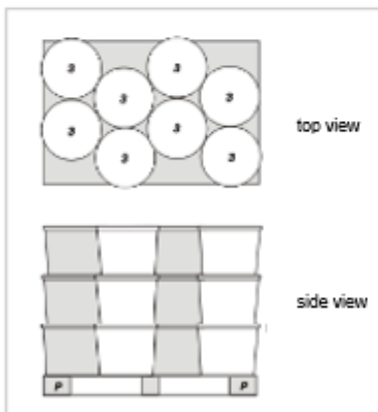
Name: P-20Bis/3  
Foiling: NO  
Weight: 127 g  
IML: NO  
Offset: YES



## RAW MATERIAL / TRANSPORT AND WAREHOUSING

- Buckets and lids are made of polypropylene (pp)
- Warehousing: In the case of stacking pallets with filled containers put weight uniformly, using for example proper separators.
- Filling and closing conditions: max. content temperature during filling 95°C, during stacking content temperature should be lower than 45°C. Put not more than 2 warm containers in the stack. When temperature decrease to 25-30° containers are characterized by optimal rigidity and mechanical parameters allowing stacking for maximal static load as below.
- Load on the lower container:
  - Static (T<23°C) : < 90 kg    Transparent containers < 72 kg
- Transportation of filled containers: Containers may be stacked to the 88% of maximal static load.
- Palletizing of containers: Product with density 1,6 g/cm<sup>3</sup> according to the customer practice giving consideration to the mentioned earlier values.
- All materials and dyes used to produce container or lid designed for the food sector are approved for food contact.
- This guarantee is valid 12 months from date of delivery. During this time, the package should be used. All packages from a single pallet should be used immediately after unpacking.
- Manufacturer is not responsible for container deformation because of stacking of single pallets or putting on them an extra load.

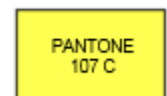
### PALLETIZATION FILLED CONTAINERS



### PALLETIZATION AT DELIVERY

**280 units / pallet**  
packaging: hood or bag

### STANDARD COLOURS



The product is available in white, transparent or colored according to customer specifications